

SIGNAGE

EXAMPLE LAYOUT

Elevation View

Typical Construction
n.t.s

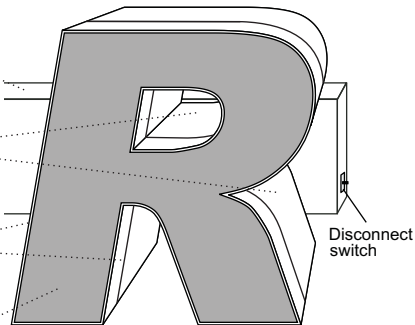
COLORS

Raceway

Returns

Trim-cap

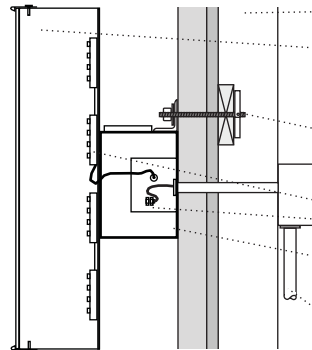
Faces



Disconnect switch

Oblique View

Typical Configuration
n.t.s



Partial Section

Typical Construction
n.t.s

Internally Illuminated, Face-Lit Raceway Channel Letter-set

Sign-band wall, varies by location

Channel letters, CNC fabricated aluminum returns, CNC-cut bright white aluminum backs, 3/16" acrylic faces with 1" aluminum-core trim-cap retainers

3/8" min non-corrosive steel anchor or toggle, (1) every 4' max., evenly spaced, back of wall re-inforced as needed by installer

High-efficiency internal LED illumination

Aluminum raceway with enclosed transformer(s), continuous structural aluminum mounting angle at top, removable service access lid, service disconnect on right end, paint in 2-part acrylic urethane, satin or flat finish to match sign-band wall, raceway sections to be 10' or less

120 volt primary required, in approved conduit, to sign location by others, dedicated circuit recommended

Sign shall be built and installed in strict accordance with UL standard 2161 and shall be UL listed and labeled



LISTED
E151394

Series 150 - UL
Raceway Channel Letters

Standard Specification Guide

Date: 9-05-2014